

5050 Series



Characteristics

5.0mm×5.0mm×1.6mm Full Color Flash LED Lamp
Viewing Angle 120°

Electrical/Optical Characteristics

Ta=25°C

Part No.	Color	Chip materials	λ_D (nm)	I_V (mcd)		V_F (V)		I_F (mA)	I_R (μ A)
			Typ.	Min	Typ.	Typ.	Max	TEST	Max ^{*1}
FM-5050SHGTBTK	Red	AlGaInP	620	300	600	2.0	2.5	20	10
	Green	InGaN	510	500	1000	3.2	4.0	20	50
	Blue	InGaN	470	100	200	3.2	4.0	20	50

NEW

5050 Series



Characteristics

5.0mm×5.0mm×1.6mm Flash LED Lamp
Viewing Angle 120

Electrical/Optical Characteristics

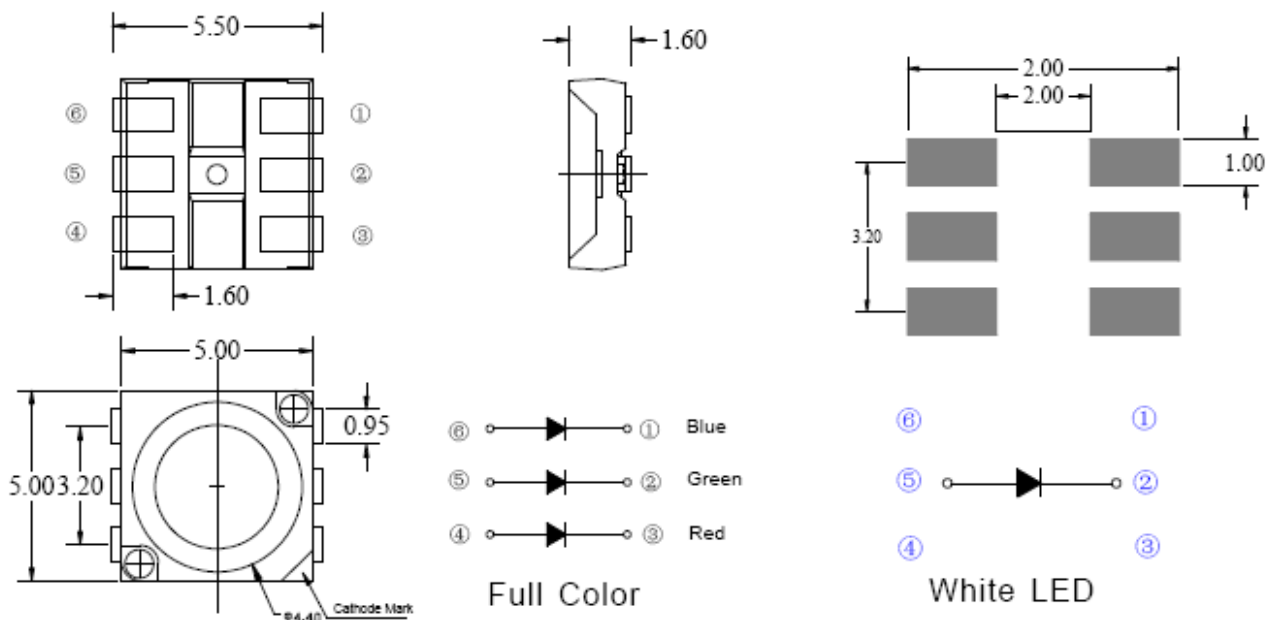
Ta=25°C

Color	Part No.	Chip materials	CIE	I_V (mcd)		V_F (V)		I_F (mA)	I_R (μ A)
				Min	Typ.	Typ.	Max	TEST	Max ^{*1}
White	FM-5050WBY	InGaN	x:0.3 y:0.3	5000	8000	3.2	4.0	150	50

NEW

Dimensions

Unit: mm (inches)



Notes

All dimensions are millimeters (inches) ;

Tolerance is 0.25mm (0.01") unless otherwise noted ;

*1 Reverse current test condition: $V_s=5V$

3030 Series



NEW

Characteristics

3.0mm×3.0mm Ceramic SMD Flash LED Lamp
Viewing Angle 120°

Electrical/Optical Characteristics

Ta=25°C

Color	Part No.	Chip materials	CIE	I _V (mcd)		V _F (V)		I _F TEST	I _R (μA) Max ^{*1}
				Min	Typ.	Typ.	Max		
White	FM-3030WBY	InGaN	x:0.3 y:0.3	5000	8000	3.2	4.0	150	50

3535 Series



NEW

Characteristics

3.5mm×3.5mm Ceramic SMD Flash LED Lamp
Viewing Angle 120°

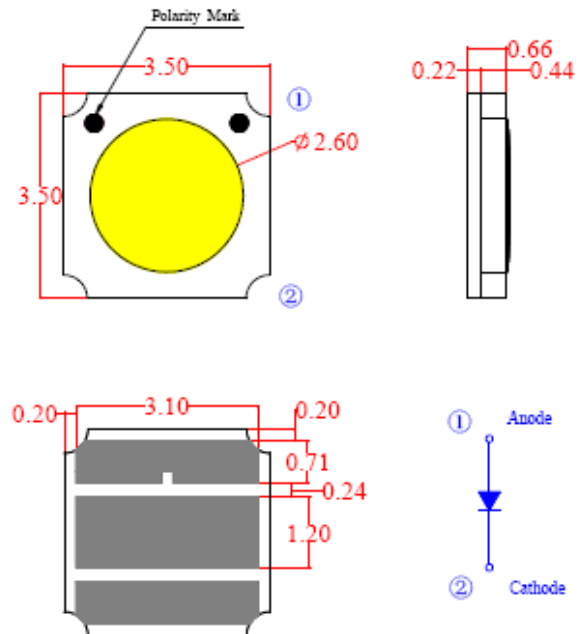
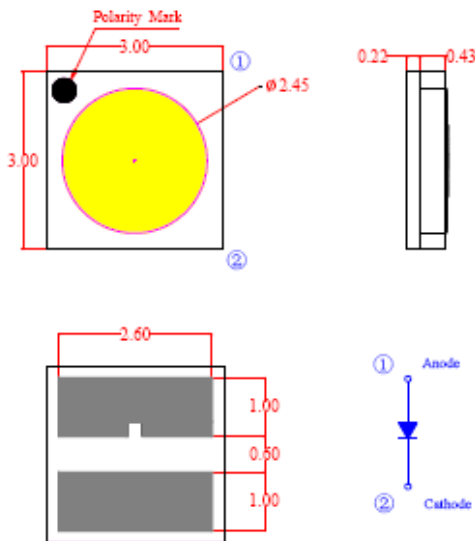
Electrical/Optical Characteristics

Ta=25°C

Color	Part No.	Chip materials	CIE	I _V (mcd)		V _F (V)		I _F (mA) TEST	I _R (μA) Max ^{*1}
				Min	Typ.	Typ.	Max		
White	FM-3535WBY	InGaN	x:0.3 y:0.3	5000	8000	3.2	4.0	150	50

Dimensions

Unit: mm (inches)



Notes

All dimensions are millimeters (inches) ;

Tolerance is 0.25mm (0.01") unless otherwise noted ;

*1 Reverse current test condition: V_s=5V

5050 Series



NEW

Characteristics

5.0mm×5.0mm×1.6mm Flash LED Lamp with PCB
Viewing Angle 120°

Electrical/Optical Characteristics

Ta=25°C

Color	Part No.	Chip materials		I _V (mcd)		V _F (V)		I _F TEST	I _R (μA) Max ^{*1}
				Min	Typ.	Typ.	Max		
White	FM-5050WBY-□	InGaN	x:0.3 y:0.3	5000	8000	3.2	4.0	150	50

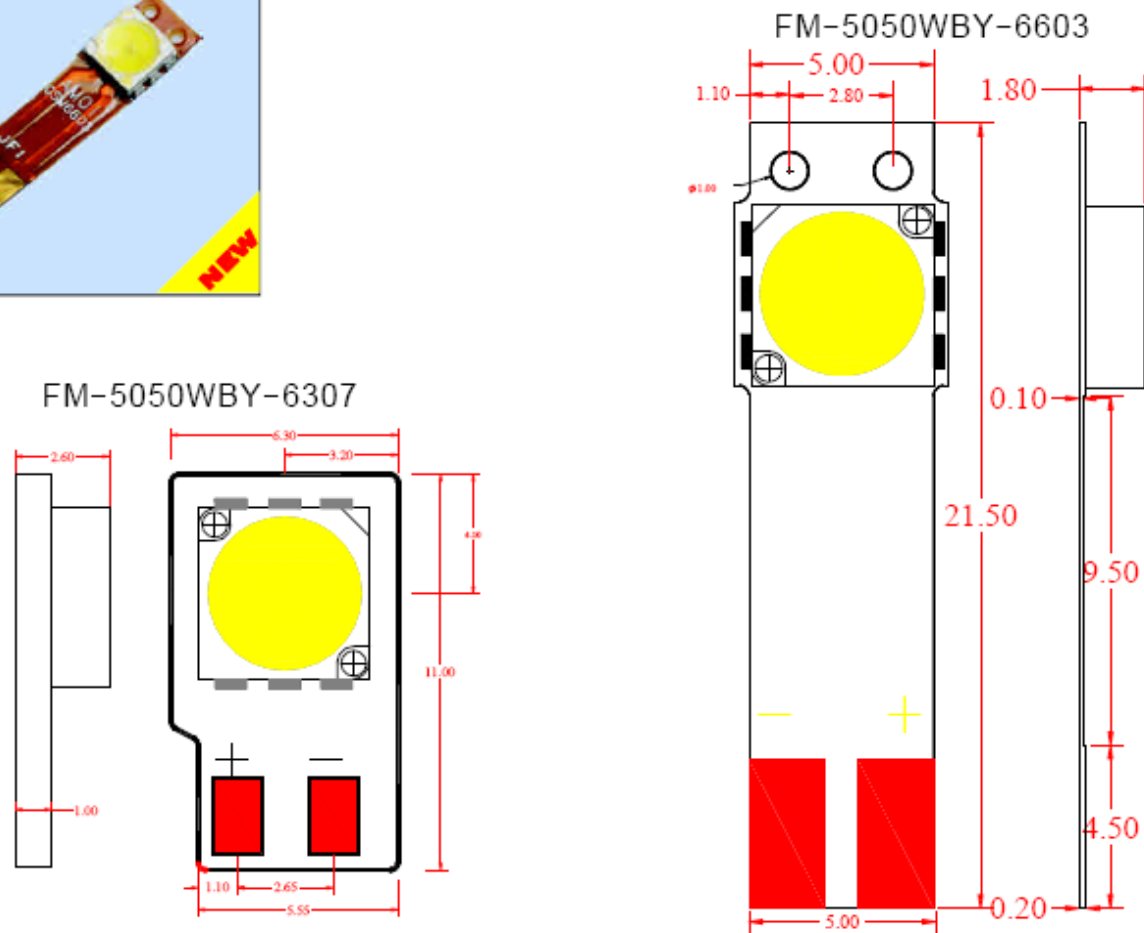
5050 Series



NEW

Dimensions

Unit: mm (inches)



Notes

All dimensions are millimeters (inches) :

Tolerance is 0.25mm (0.01") unless otherwise noted :

*1 Reverse current test condition: V_R=5V